

REVISION HISTORY				
SCH REV	PCB REV	ECO NO	DATE	COMMENT
-	-	-		INITIAL
1.1	1.1	-		add cur limit ckt
1.5	1.5	-		ECN 5460, ECN 5669
1.5.1	1.5			ECN 7213 AND 7269
1.5.2	1.5	7589	3-6-98	CHANGE R50 TO 0 OHM
1.5.3	1.5		1-15-98	ASSY DWG AND BOM CHANGES ONLY
1.5.4	1.5	8695	8-10-99	ASSY DWG AND BOM CHANGES ONLY
1.5.5	1.5	9014	3-10-00	R33 & R34 WAS 10 OHM
1.5.6	1.5		4-11-00	ASSY DWG AND BOM CHANGES ONLY
1.5.7	1.5		12-15-00	ASSY DWG CHANGES ONLY
1.5.8	1.5	768	12-15-00	F1 BOM CHANGE

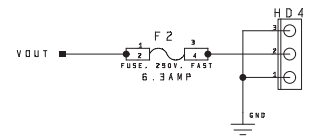
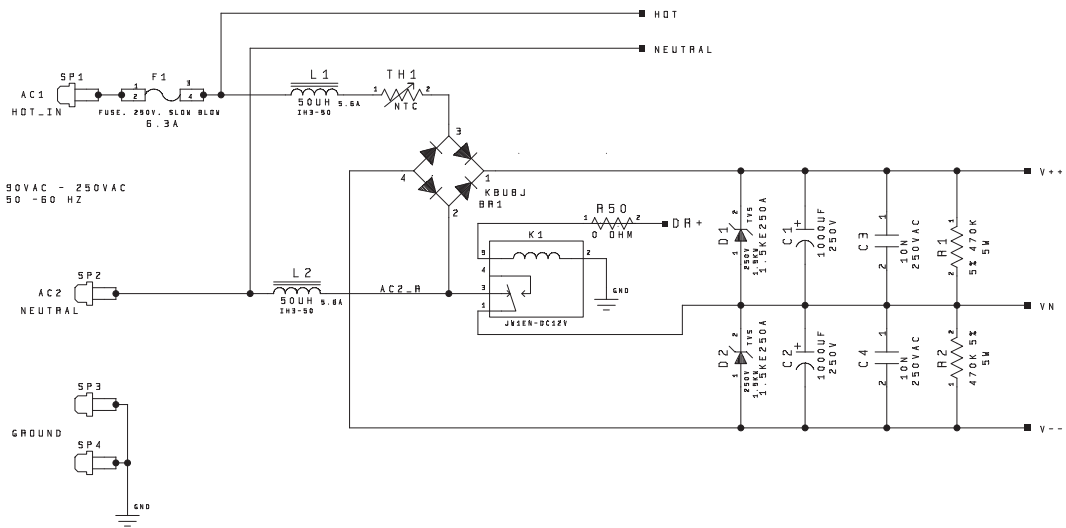
Copyright (c) 1994–2001 High End Systems, Inc. All rights reserved worldwide.

Studio Color, Lightwave Research, the Lightwave Research logo, High End Systems and the High End Systems logo are registered trademarks of High End Systems, Inc. Trademarks and trade names of others may be used in this document to refer to either such other entities or to their products. High End Systems Inc. disclaims any proprietary interest or connection to such marks or entities.

NOTES:

- UNLESS OTHERWISE SPECIFIED:
1. ALL RESISTOR VALUES ARE IN OHMS
  2. ALL RESISTORS ARE 1/8 WATT 5% OR BETTER
  3. CAPACITORS VALUES ARE IN PICO FARADS
  4. ALL NON POLARIZED CAPACITORS ARE 50V OR BETTER  
VALUES BELOW 470pF ARE NPO/COG TYPE 5%  
VALUES 470pF TO 1000pF ARE X7R 10%  
VALUES ABOVE 1000pF ARE Z5U +/- 20 %
  5. ALL POLARIZED CAPACITORS ARE 20% OR BETTER
  6. ALL DIODES ARE 1N4148 TYPE

HIGH END SYSTEMS INC.			
Title:		STUDIO COLOR WASH FIXTURE SWITCHING POWER SUPPLY	
Function:		COVER SHEET	59158
Drawing No.	REV.	Designed:	
99030059SCH	1.5.8	DESIGNER	
Drawn:		Approved:	
BDDN			
Date:	Size:	Page:	of:
2-3-2003-15-19	A2	1	6



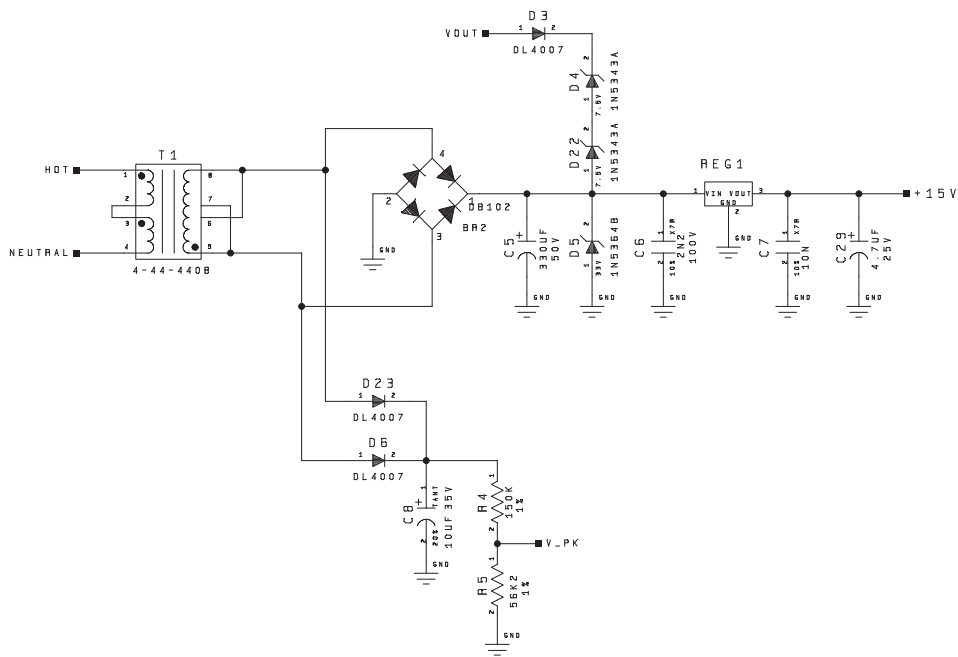
HIGH END SYSTEMS INC.

Title: STUDIO COLOR WASH FIXTURE SWITCHING POWER SUPPLY

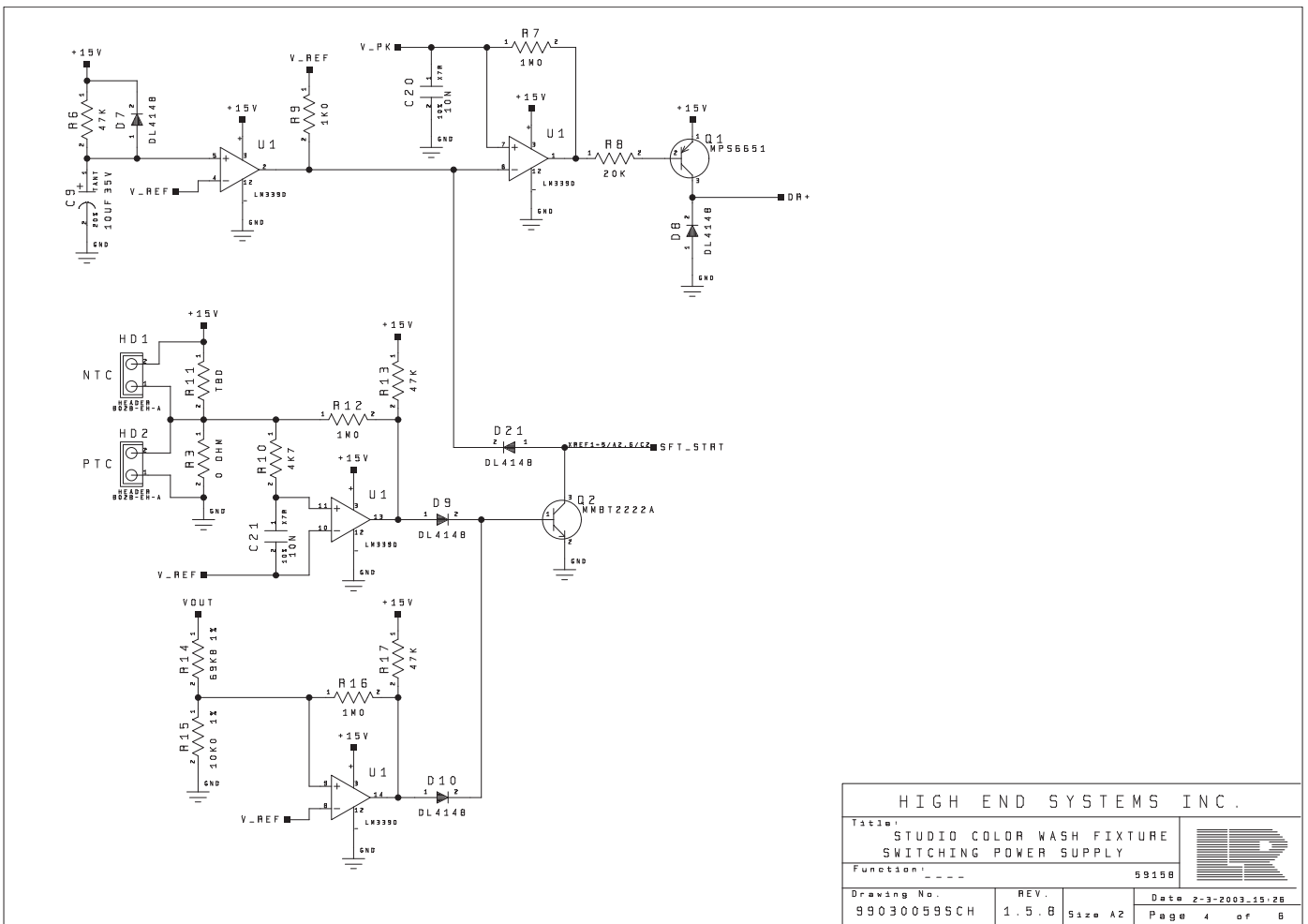
Function: 59158


Drawing No. 99030059SCH REV. 1.5.B Size A2 Date 2-3-2003-15.28 Page 2 of 6

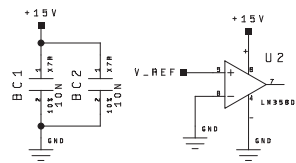
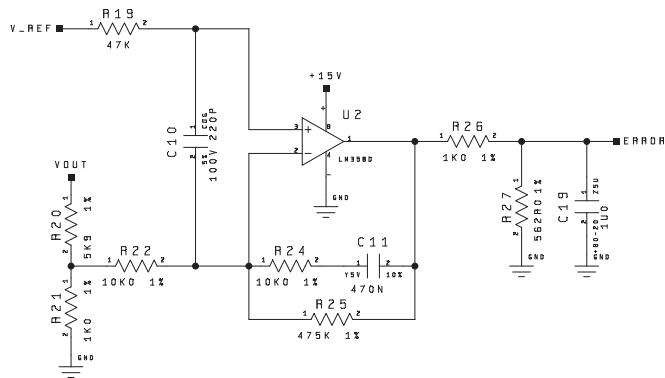
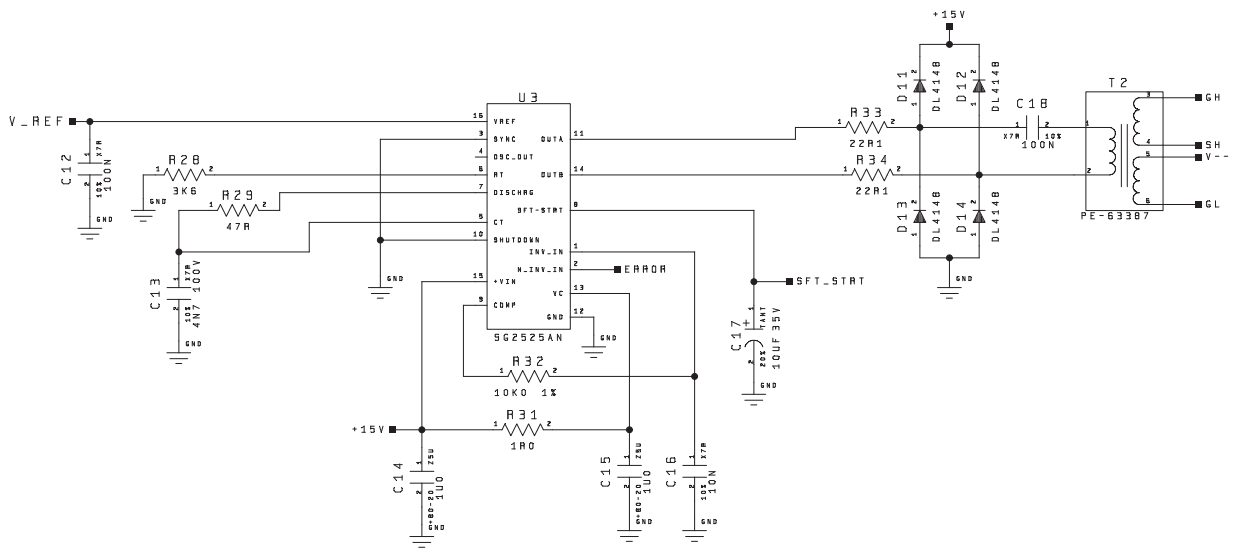




HIGH END SYSTEMS INC.			
Title:		STUDIO COLOR WASH FIXTURE SWITCHING POWER SUPPLY	
Function:		5915B	
Drawing No.	REV.	Date	2-3-2003-15-26
990300595CH	1.5.B	Size	A2
		Page 3 of 6	



HIGH END SYSTEMS INC.			
Title:			
STUDIO COLOR WASH FIXTURE SWITCHING POWER SUPPLY			
Function: - - - -		5919B	
Drawing No.	REV.	Date	2-3-2003-15:26
990300595CH	1.5.B	Size	A2 Page 4 of 6



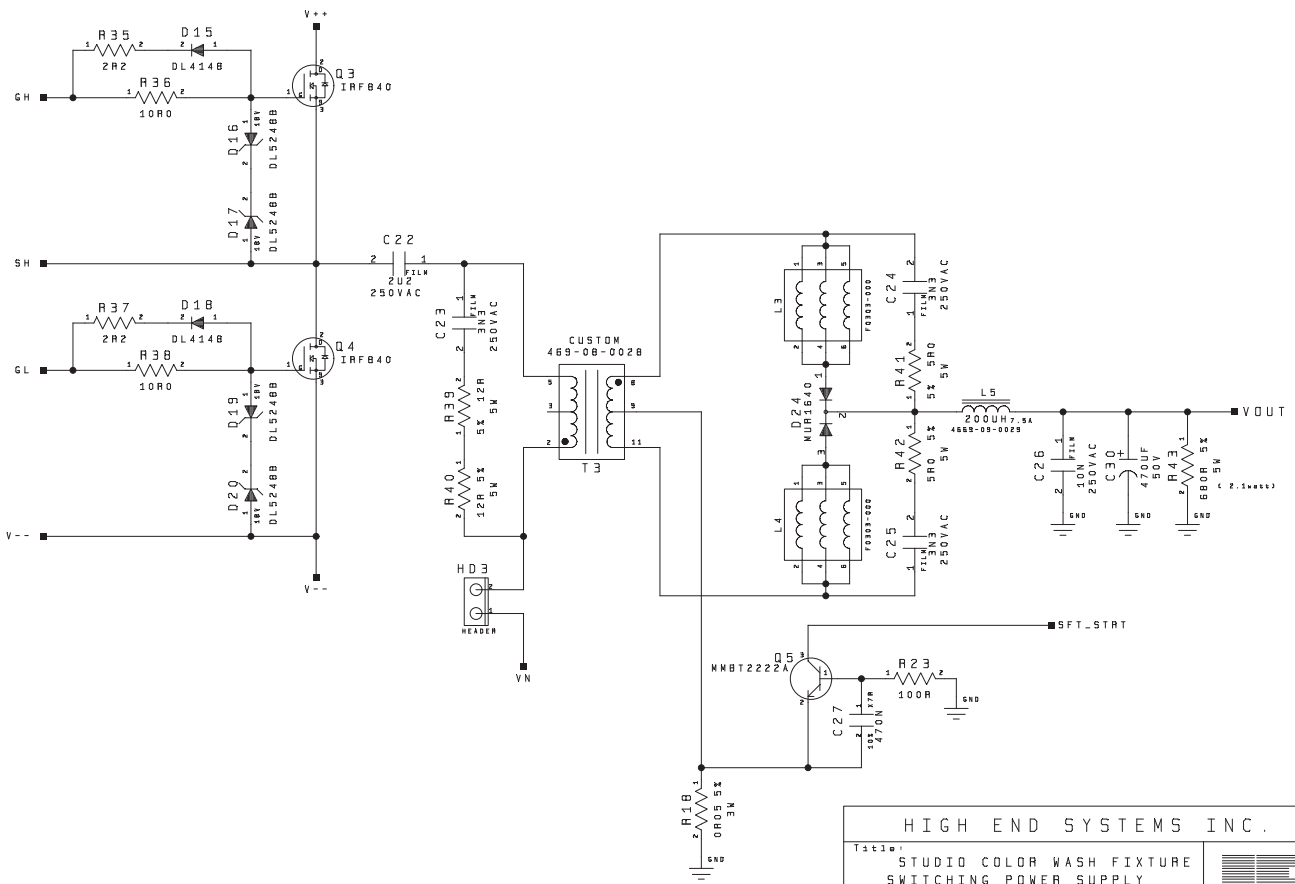
HIGH END SYSTEMS INC.

Title: STUDIO COLOR WASH FIXTURE SWITCHING POWER SUPPLY



Function: 5915B

Drawing No. 990300595CH	REV. 1.5.B	Size A2	Date 2-3-2003-15-26
			Page 5 of 6



HIGH END SYSTEMS INC.			
Title:		STUDIO COLOR WASH FIXTURE SWITCHING POWER SUPPLY	
Function:		5915B	
Drawing No.	REV.	Date	2-3-2003-15:26
SCH-99030059	1.5.8	5120 A2	Page 8 of 6



REVISION HISTORY				
SCH REV	PCB REV	ECO NO.	DATE	COMMENT
1.0	1.0		3/28/00	REV 1.0
1.1	1.1		5/23/00	REV 1.1
1.2	1.2		7/17/00	REV 1.2
1.2.1	1.2		12-19-00	SEE ECN
1.2.2	1.2		4-11-01	SEE ECN

Copyright (c) 1994–2001 High End Systems, Inc. All rights reserved worldwide.

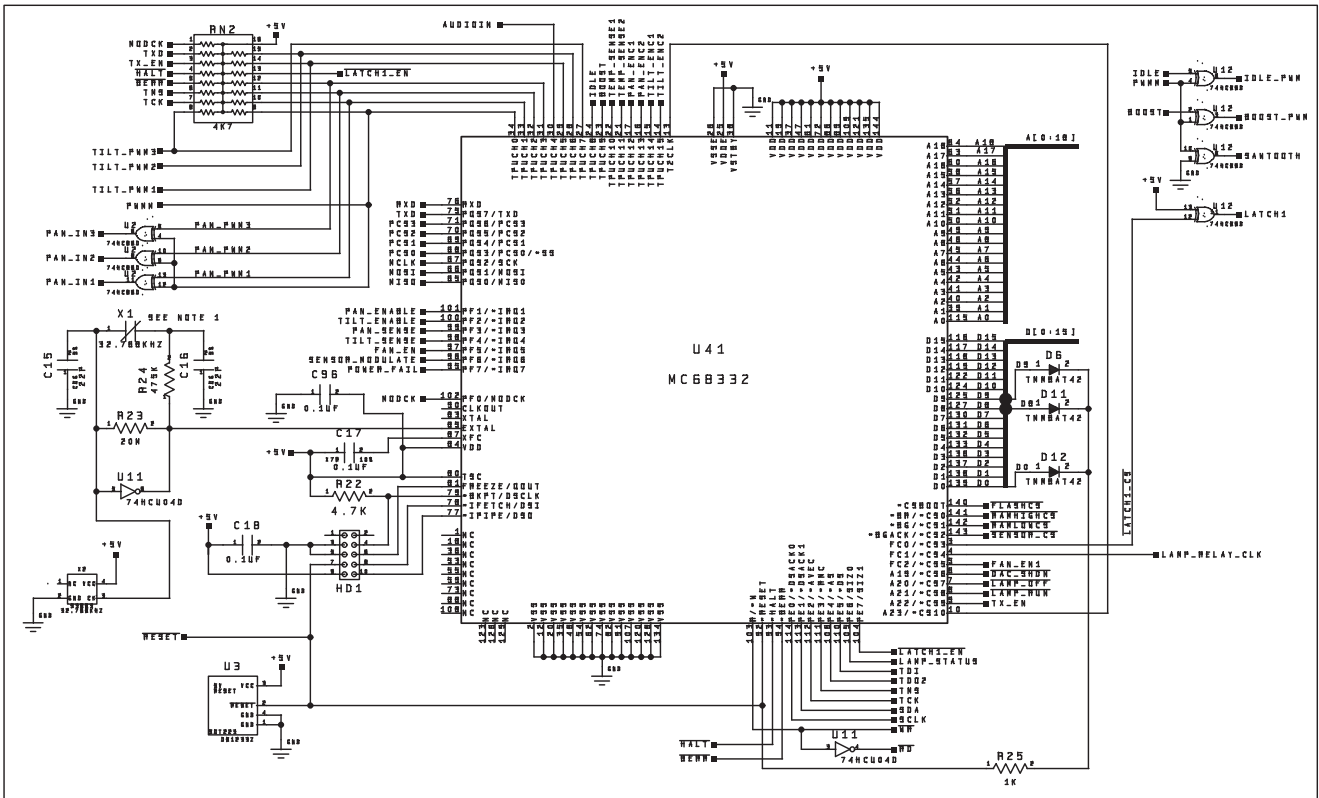
Lightwave Research, the Lightwave Research logo, High End Systems and the High End Systems logo are registered trademarks of High End Systems, Inc. Trademarks and trade names of others may be used in this document to refer to either such other entities or to their products. High End Systems Inc. disclaims any proprietary interest or connection to such marks or entities.

NOTES :

UNLESS OTHERWISE SPECIFIED:

1. ALL RESISTOR VALUES ARE IN OHMS
2. ALL RESISTORS ARE 1/8 WATT 5% OR BETTER
3. CAPACITOR VALUES ARE IN PICO FARADS
4. ALL NON POLARIZED CAPACITORS ARE 50V OR BETTER  
VALUES BELOW 470pF ARE NPO/COG TYPE 5%  
VALUES 470pF TO 1000pF ARE X7R 10%  
VALUES ABOVE 1000pF ARE Z5U +/- 20 %
5. ALL POLARIZED CAPACITORS ARE 20% OR BETTER
6. ALL DIODES ARE 1N4148.

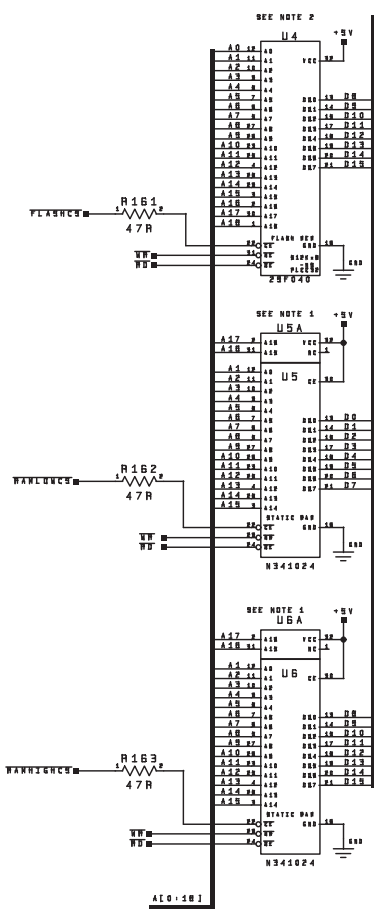
HIGH END SYSTEMS INC.			
Title:		ME50 LOGIC BOARD	
Function:		COVER SHEET	111R122
Drawing No.	REV.	Designed: TOM GRIMES	
99030111	1.2.2	Approved:	
Drawn: TOM GRIMES		Date: 11-2001-12-27	
Size: A2		Page: 1	of: 12



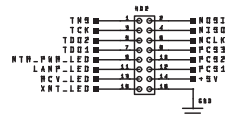
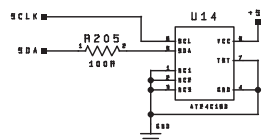
NOTES:  
 1. STUFF X2 OR X1, R23, R24, C55, C16. DO NOT STUFF BOTH.  
 2. THE CIRCUITS FOR PAN AND TILT HAVE BEEN SWAPPED.  
 SIGNALS LABELED "PAN-xxx" ARE BEING USED TO CONTROL  
 THE TILT MOTOR AND VICE VERSA.

HIGH END SYSTEMS INC.			
Title: ME50 LOGIC BOARD			
CPU			
Function: THE BRAINS OF THE LIGHT			
Drawing No.	REV.	Date	4-11-2001.12.28
99030111	1.2.2	Size	B
		Page	2 of 12





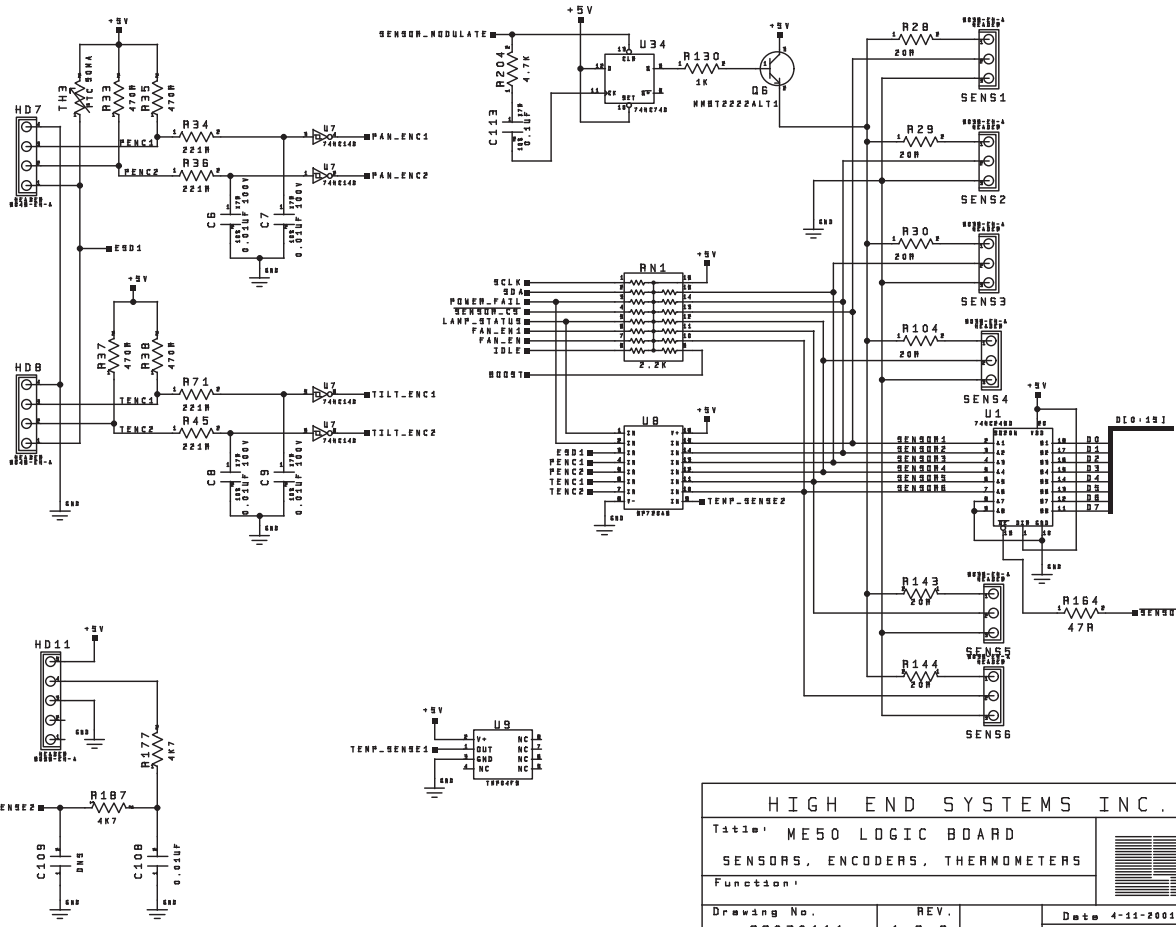
[10:18]



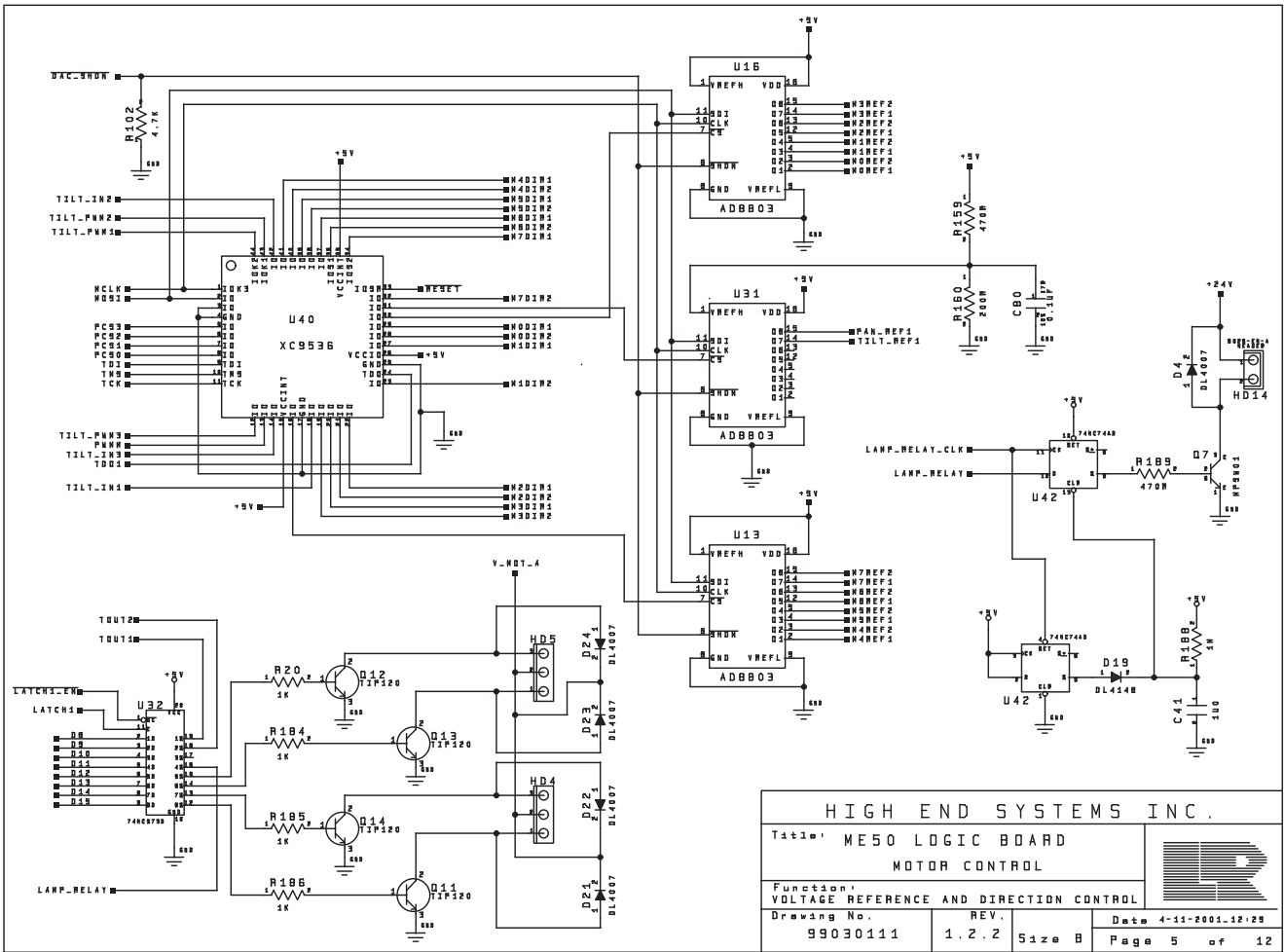
NOTES:

1. U5A & U6A ARE 128Kx8 32 PIN DEVICES. U5 & U6 ARE 32Kx8 28 PIN DEVICES. EITHER DEVICE MAY BE USED. SYMBOL FOR 32 PIN DEVICE SHOWN. 28 PIN DEVICE DOES NOT USE PINS 1,2,31,32.
2. U4 MAY BE EITHER A 512Kx8 OR 128Kx8. 128Kx8 DEVICE DOES NOT USE PINS 1 AND 30.

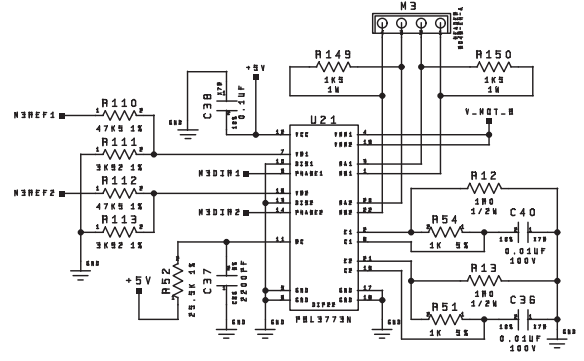
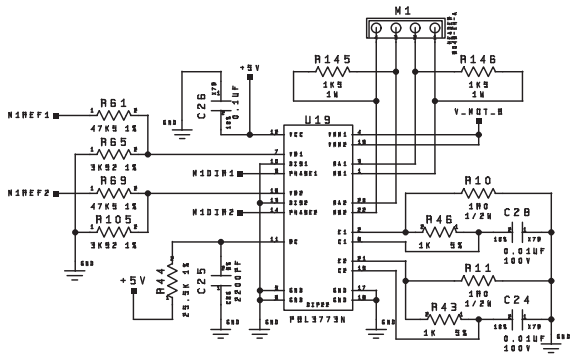
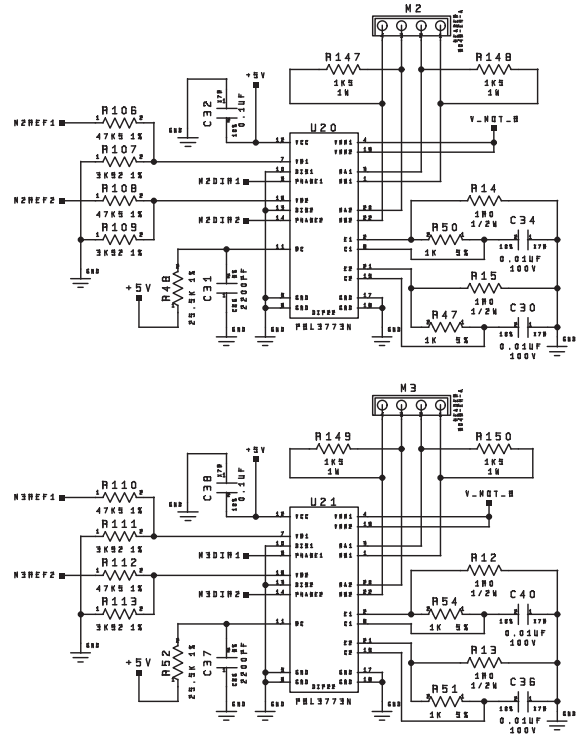
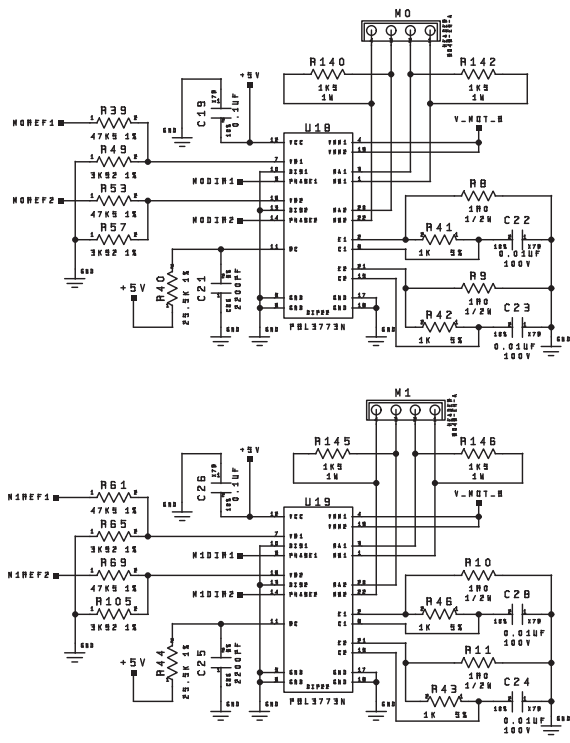
HIGH END SYSTEMS INC.			
Title: ME50 LOGIC BOARD			
Function: REMEMBER THINGS			
Drawing No.	REV.	Date	4-11-2001-12:29
99030111	1.2.2	Size B	Page 3 of 12




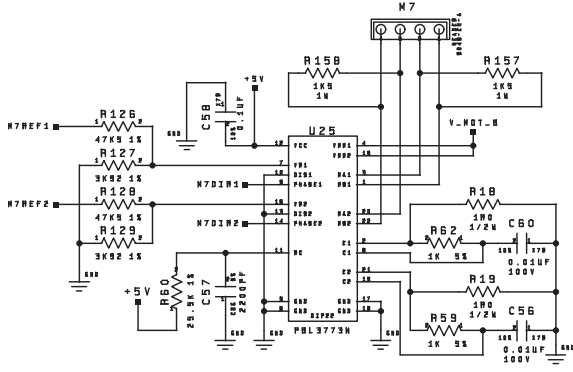
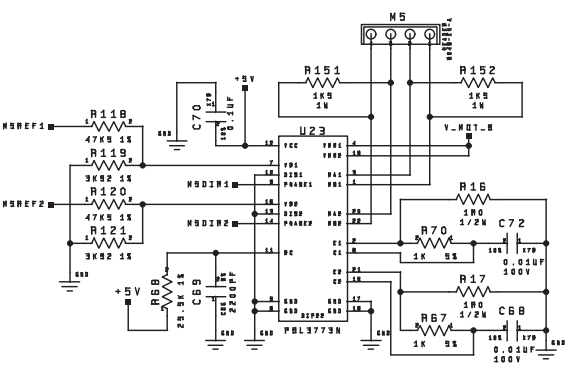
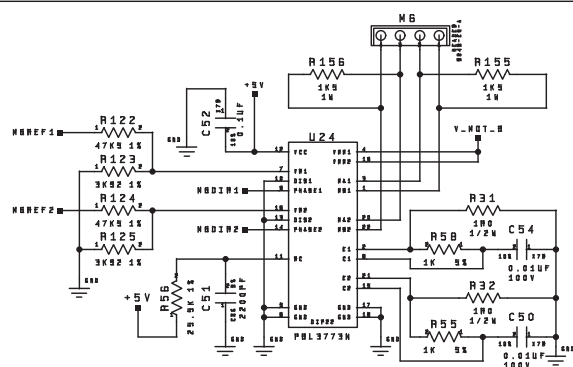
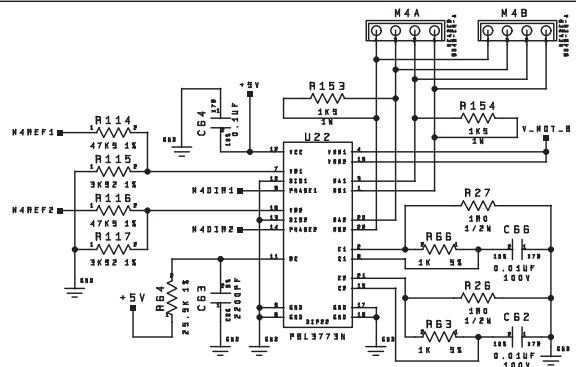
HIGH END SYSTEMS INC.			
Title: ME50 LOGIC BOARD			
FUNCTION: SENSORS, ENCODERS, THERMOMETERS			
Function:			
Drawing No.	REV.	Date	4-11-2001-12:29
99030111	1.2.2	Size B	Page 4 of 12



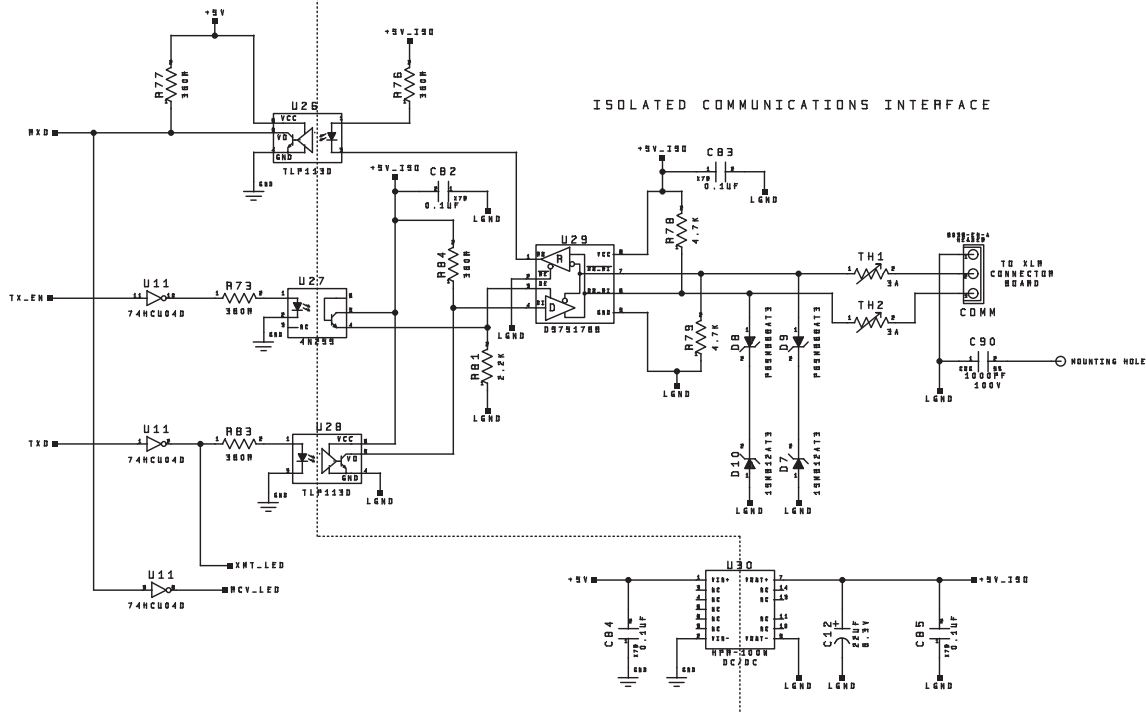
HIGH END SYSTEMS INC.			
Title: ME50 LOGIC BOARD			
MOTOR CONTROL			
Function: VOLTAGE REFERENCE AND DIRECTION CONTROL			
Drawing No.	REV.	Date	4-11-2001-12:29
99030111	1.2.2	Size B	Page 5 of 12




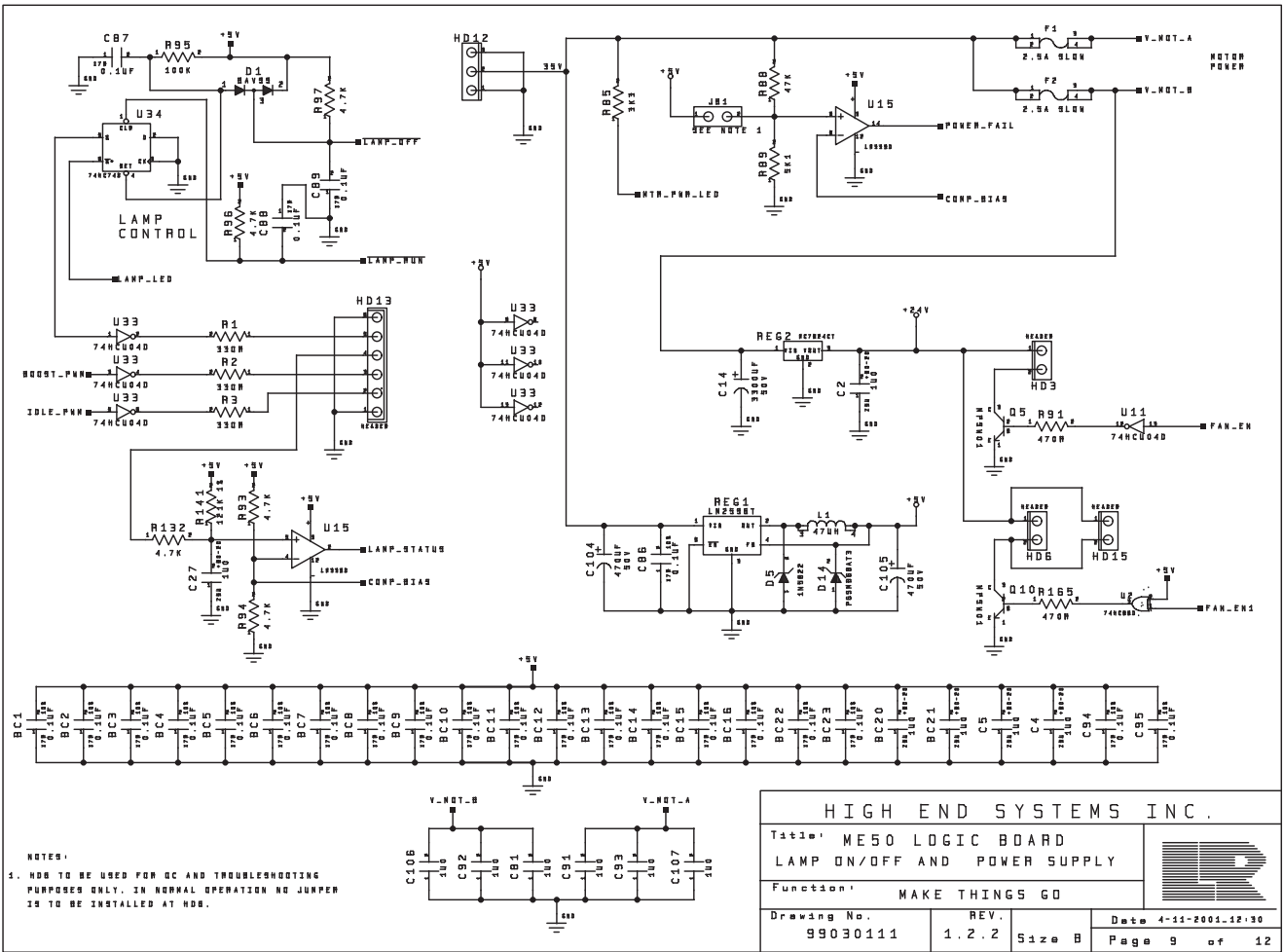
HIGH END SYSTEMS INC.			
Title: ME50 LOGIC BOARD			
MOTOR DRIVERS			
Function: M0, M1, M2 & M3			
Drawing No.	REV.	Size	Date
99030111	1.2.2	B	4-11-2001.12:30
			Page 6 of 12

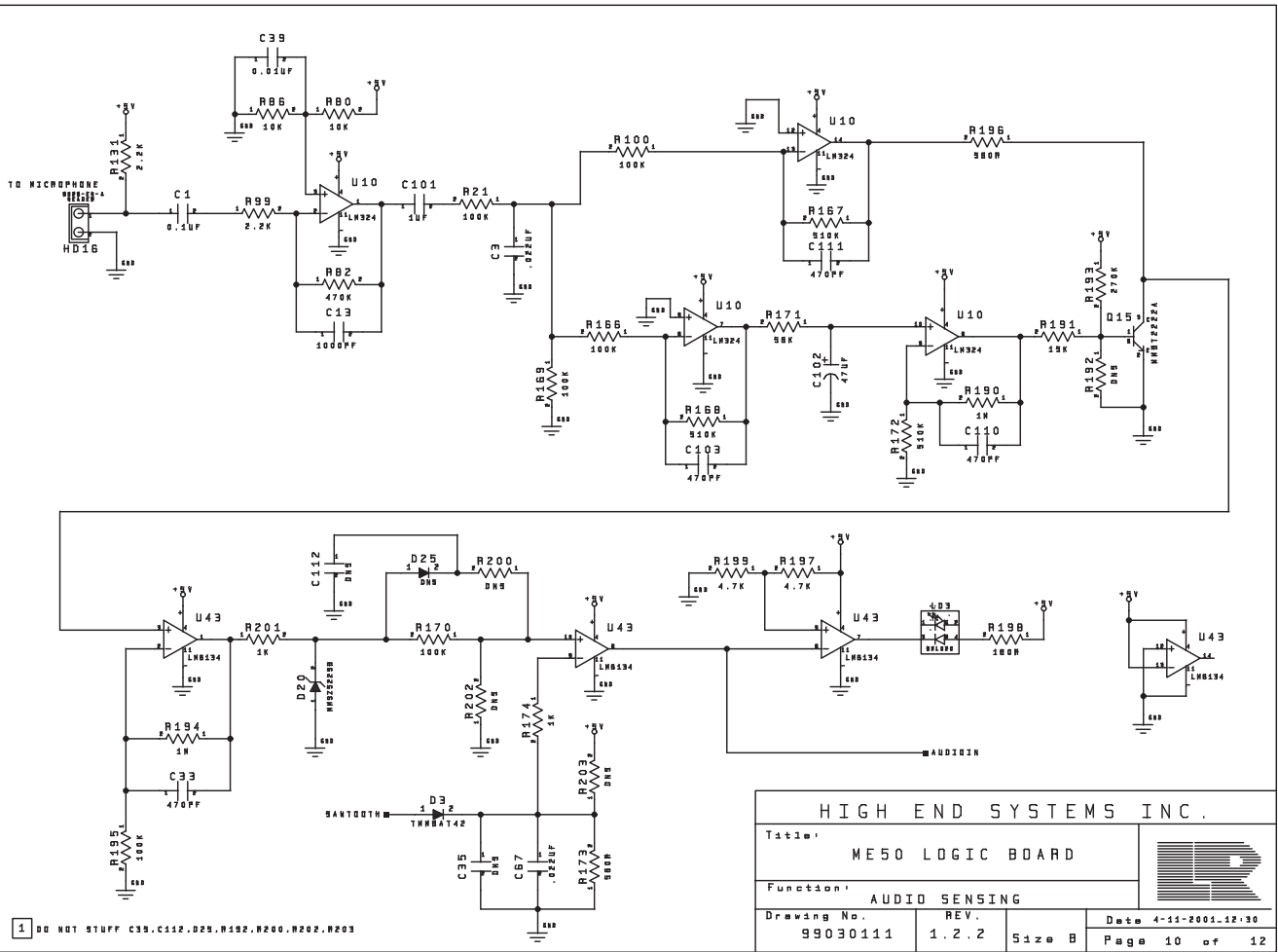


HIGH END SYSTEMS INC.			
Title: ME50 LOGIC BOARD			
MOTOR DRIVERS			
Function: M4, M5, M6 & M7			
Drawing No.	REV.	Date	4-11-2001-12:30
99030111	1.2.2	Size B	Page 7 of 12



HIGH END SYSTEMS INC.			
Title: ME50 LOGIC BOARD			
ISOLATED POWER AND COMMUNICATION			
Function: TALK TO THE WORLD			
Drawing No.	REV.	Date	4-11-2001-12:30
99030111	1.2.2	Size B	Page 8 of 12

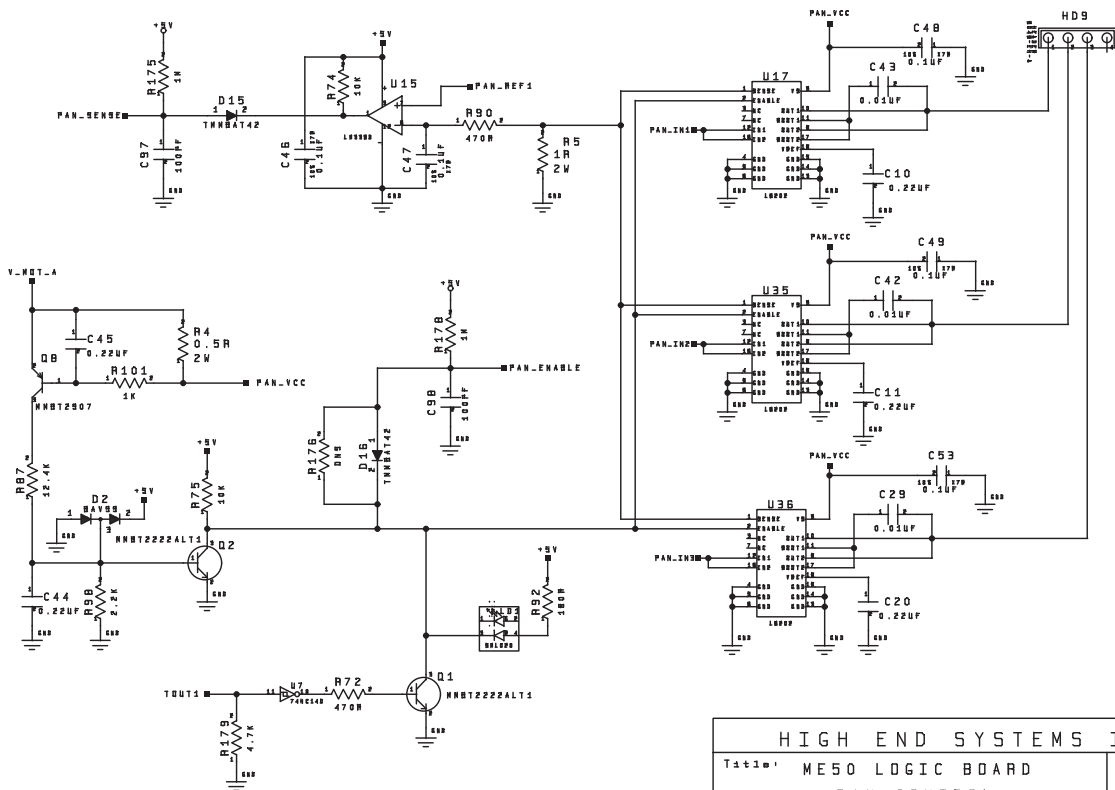




1 DO NOT STUFF C39, C112, D29, R192, R200, R202, R203

HIGH END SYSTEMS INC.			
Title:		ME50 LOGIC BOARD	
Function:		AUDIO SENSING	
Drawing No.	REV.	Date	4-11-2001-12:30
99030111	1.2.2	Size B	Page 10 of 12

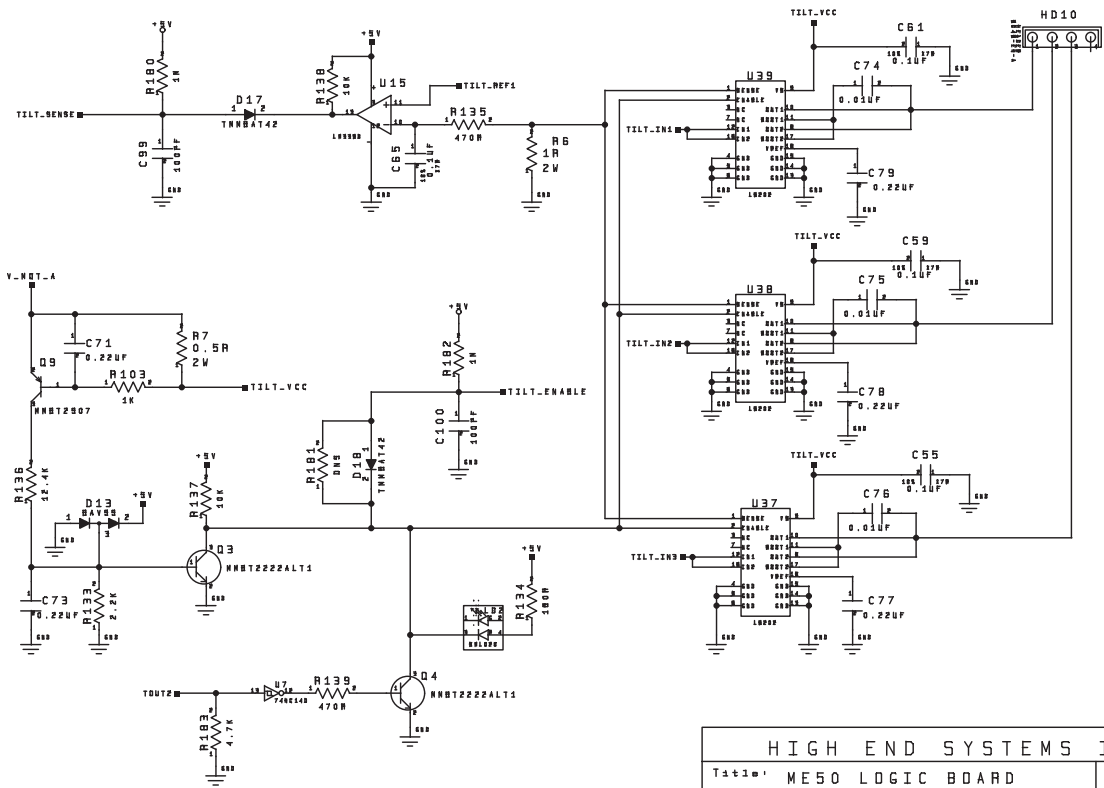




**NOTE:**

1. THE CIRCUITS FOR PAN AND TILT HAVE BEEN SWAPPED. SIGNALS LABELED \*PAN.XXX\* ARE BEING USED TO CONTROL THE TILT MOTOR.

HIGH END SYSTEMS INC.			
Title: ME50 LOGIC BOARD			
PAN CONTROL			
Function:			
Drawing No.	REV.	Date 4-11-2001.12:30	
99030111	1.2.2	Size B	Page 11 of 12



NOTE:

1. THE CIRCUITS FOR PAN AND TILT HAVE BEEN SWAPPED.  
 SIGNALS LABELED "TILT.XXX" ARE BEING USED TO CONTROL  
 THE PAN MOTOR.

HIGH END SYSTEMS INC.			
Title: ME50 LOGIC BOARD			
TILT CONTROL			
Function:			
Drawing No.	REV.	Date	4-11-2001-12:30
99030111	1.2.2	Size B	Page 12 of 12